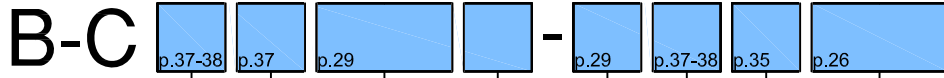


Carter connector reference



TYPE 1: Carter type 1 (page 37)
3: Carter type 3 (page 38)

DIMENSIONS
1: DIM 1
2: DIM 2
3: DIM 3
4: DIM 4
5: DIM 5 (page 37)
6: DIM 6
7: DIM 7
8: DIM 8
9: DIM 9

CONTACTS See page 29

VARIATIONS A-Z

CONTACT GENDER M: Male (page 29)
F: Female

BODY TYPE A: Plug (pages 37-38)
B: Socket

COATING 0: Nickel
2: Black painted / Anodized (page 35)

CABLE CLAMP See page 26

Carter Connector types

Carter T.1 y T.3 are the largest connectors manufactured by our company, highly robust and ready to work under harsh environmental conditions.

Contact number and planform on custom demand.

Carter T.1

Carter T.1 connectors has a threaded connection, waterproof and vibration safe.



Protection
Nickel (conductive)
Black painted / Anodized (non conductive)



Protection
IP 68 IEC 529 / EN60529:1991



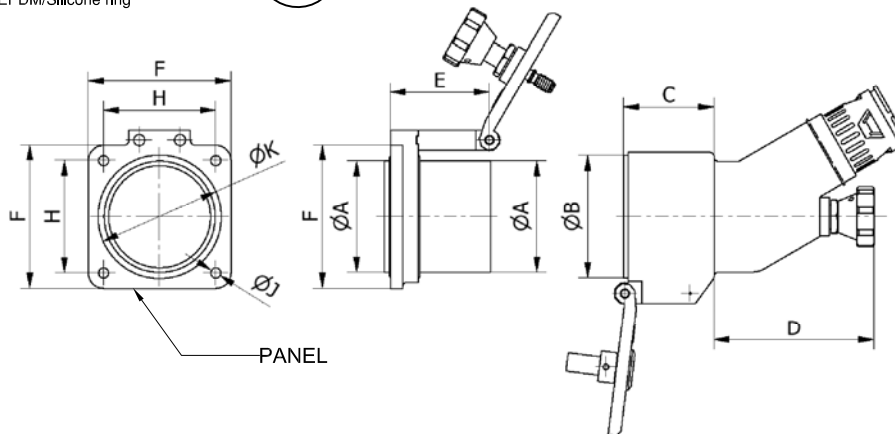
Resistance to Saline atmosphere (ASTMB 117-73)
Nickel: 100h
Black painted / Anodized: 500h



Material
Body: Aluminium alloy
Insulator: Thermoplastic
Conection sealed: EPDM/Silicone ring
Socket sealed: EPDM/Silicone ring



Temperature range
Static: from -40 °C to +100 °C
Dynamic: from -20 °C to +100 °C



CARTER T.01 DIMENSIONS										
SIZE	ØA	ØB	C	D	E	F	ØG	H	J	ØK
1	54	60	29	115	40	70	19	55	M-5	56
2	64.5	71	35	125	47	80	28	65	M-5	67
3	81	88	44	150	58	100	36	80	M-6	83
4	109	120	67	195	87	140	48	110	M-8	111
5	130	140	80	230	105	160	54	128	M-8	132
6	151	164	95	240	120	180	66	144	M-10	155

Carter connector type

Carter T.3

Carter T.3 are connectors with great robustness and mechanical resistance. They are connectors with interlock and positioner, which ensures a correct connection. Thanks to its lever closing system, it guarantees a great connection speed, safe and water-resistant, either with the coupling connection as with closed cover, of IP68.



PRO

Protection
 Nickel (conductive)
 Black painted (non conductive)
 Black Anodized (non conductive)

MAT

Material
 Body: Aluminium alloy
 Insulator: Thermoplastic
 Connection sealed: EPDM / Silicone ring
 Socket sealed: EPDM / Silicone ring

IP

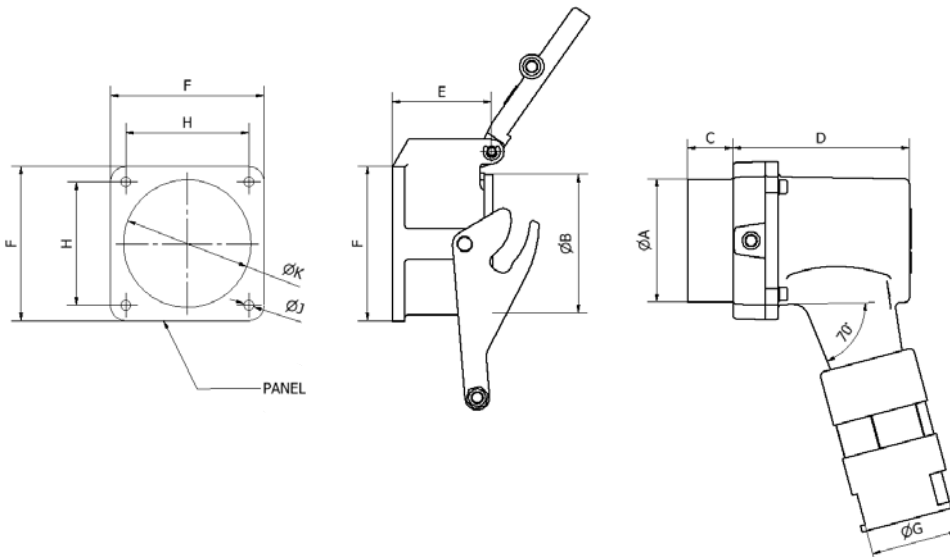
Protection
 IP 68 IEC 529 / EN60529:1991

TEMP

Temperature range
 Static: from -40 °C to +100 °C
 Dynamic: from -20 °C to +100 °C

RNS

Resistance to Saline atmosphere (ASTMB 117-73)
 Nickel: 100h
 Black painted: 500h
 Black Anodized: 600h



CARTER T.03 DIMENSIONS									
ØA	ØB	C	D	E	F	ØG	H	J	ØK
81	82	29	121	64.5	100	45	80	M-6	83

Crimp contacts

● contacts Ø1



REC

Coating
Contact: Gold on Nickel / Silver

MAT

Material
Contact: Copper alloy



Insulator	Cable section		ALFA'R CODE		Tools		
	mm ²	AWG	Male	Female	Crimping tool	Insertor	Extractor
19CD	0.14/0.50	25/20	B-MC-10-02/05	B-FC-10-02/05	B-EIN-C-1-PNT10	B-EIN-MT-10	B-EIN-MD-10
114CD	0.75/1	19/17	B-MC-10-07/10	B-FC-10-07/10			
222CD	0.14/0.50	25/20	B-MC-10-01/05-A	B-FC-10-01/05-A			
337CD	0.75/1	19/17	B-MC-10-07/10-A	B-FC-10-07/10-A			

○ contacts Ø1.5



REC

Coating
Contact: Gold on Nickel / Silver
Spring: Gold on Nickel / Silver

MAT

Material
Contact: Copper alloy
Retainer: Stainless steel
Spring: CuBe



Insulator	Cable section		ALFA'R CODE		Tools		
	mm ²	AWG	Male	Female	Crimping tool	Insertor	Extractor
28CD	0.75	19/18	B-MC-15-07	B-FC-15-07	B-EIN-C-6-2	By hand	B-EIN-MD-15
319CD	1.5	16/15	B-MC-15-15	B-FC-15-15			
434CD	2.5	14/13	B-MC-15-25	B-FC-15-25			

● contacts Ø3



REC

Coating
Contact: Gold on Nickel / Silver
Spring: Gold on Nickel / Silver

MAT

Material
Contact: Copper alloy
Retainer: Stainless steel
Spring: CuBe



Insulator	Cable section		ALFA'R CODE		Tools		
	mm ²	AWG	Male	Female	Crimping tool	Insertor	Extractor
23CD	1.5	16/15	B-MC-30-15	B-FC-30-15	B-EIN-C-6-2	By hand	B-EIN-MD-30
419CD	2.5	14/15	B-MC-30-25	B-FC-30-25			
	4	12/11	B-MC-30-40	B-FC-30-40			

⊕ contacts Ø5.75



REC

Coating
Contact: Gold on Nickel / Silver
Spring: CuBe

MAT

Material
Contact: Copper alloy
Retainer: Stainless steel
Spring: CuBe



Insulator	Cable section		ALFA'R CODE		Tools		
	mm ²	AWG	Male	Female	Crimping tool	Insertor	Extractor
43CDA	16	5	B-MC-57-160	B-FC-57-160	B-EIN-C-1-51	By hand	B-EIN-MD-57
45CD							



Crimp or solder Contacts

⑥ Elastic cones contacts



REC

Recubrimiento
Contacto: Plata

MAT

Material
Contacto: Aleación cobre
Retenedor: Acero inoxidable



Ø Contact	Insulator	Cable section		ALFA'R CODE		Tools		
		mm ²	AWG	Male	Female	Crimping tool	Insertor	Extractor
4	C1112A C1204A C1216A C1212A	5.3	10	B-MC-40-053	B-FC-40-053			
5	C1104A C1318A C1416A C1427A C1554A C1664A C1644A C1680A	8.4	8	B-MC-50-084	B-FC-50-084	B-EIN-MD-50		
6	C1104A C1104B C1204A C1204B C1306A	10.5	7	B-MC-60-105	B-FC-60-105	B-EIN-MD-60		
7	C1505A C1318A C1416B	16.8	5	B-MC-70-168	B-FC-70-168	B-EIN-MD-70		
8	C1204B C1204C C1306A C1306B	26.7	3	B-MC-80-267	B-FC-80-267	B-EIN-MD-80		
10	C1304A C1308A C1306A C1404B C1416A C1664A	33.6	2	B-MC-100-336	B-FC-100-336	B-EIN-MD-100		
12	C1504A C1404A C1404B	53.5	1/0	B-MC-120-535	B-FC-120-535	B-EIN-MD-120		
14	C1504A C1604A C1644A	67.4	2/0	B-MC-140-674	B-FC-140-674	B-EIN-MD-140		
16	C1504A C1504B C1604A	85	3/0	B-MC-160-850	B-FC-160-850	B-EIN-MD-160		

Coaxial Connectors (inserts)

● DIN 41626 (1.0/2.3)



REC

Coating
Contact: Gold on Nickel

MAT

Material
Contacto: Copper alloy
Insulator: PTFE
Retainer: Stainless steel



CABLE	Ω	ALFA'R CODE	CRIMPING TOOL
Insert Male crimp			
TX-20	75	A-1.0-10C16-75-I	A-EIN-C-1-C61 A-EIN-C-1-6G1K
RG-178; RG-196	50	A-1.0-10C18-50-I	
RG-179	75	A-1.0-10C25-75-I	
RG-316	50	A-1.0-10C25A-50-I	
RG-174; RG-188		A-1.0-10C26-50-I	
RG-187; TZC-75101	75	A-1.0-10C26B-75-I	
FLEX-2		A-1.0-10C27-75-I	
Insert Female crimp			
TX-20	75	A-1.0-20C16-75-I	A-EIN-C-1-C61 A-EIN-C-1-6G1K
RG-178; RG-196	50	A-1.0-20C18-50-I	
RG-179	75	A-1.0-20C25-75-I	
RG-316	50	A-1.0-20C25A-50-I	
RG-174; RG-188		A-1.0-20C26-50-I	
RG-187; TZC-75101	75	A-1.0-20C26B-75-I	
FLEX-2		A-1.0-20C27-75-I	

Cable clamp

CORRUGATED TUBE CABLE CLAMP					
Connector size	Ø tube (mm)			Metric	Gland reference
	nom	ext	int		
T-10	10	13	10	M-16	FB
	12	15.8	12		FC
T-20	12	15.8	12	M-20	FD
	16	21.2	16.5		FE
T-30	27.5	34.5	29	M-32	FF
T-40	35	42.5	36	M-40	FG
T-70	48	54.5	48	M-63	FH



**CORRUGATED TUBE
CABLE CLAMP**

RAL

Available colors
RAL 7035 light gray
RAL 9005 black / UV resistance

MAT

Material
Body: Polyamide
Sealed: EPDM
Sealed to the connector: Silicone

IP

Protection
IP 68 - 5 bar
IP 69K according to DIN 40050 T.9

TEMP

Temperature range
from -30 °C to +100 °C